



SAVOR THE MOMENT™

WALL & ISLAND
VENT HOOD ASSEMBLY
INSTALLATION GUIDE

PROVIDED TO YOU BY:

The Robert H. Peterson Company

TABLE OF CONTENTS

Installation Instructions Island and Wall Hoods/ Indoor and Outdoor Applications.....	3
Important Safety Instructions.....	4
Important Safety Instructions Continued.....	5
Model Details.....	6
Installation Precautions.....	7
Installation Planning/ Unistrut Mount Diagram.....	8
Angle Iron Mount/ Frame Iron Mount Diagram.....	9
Island or Wall Hoods/ Ceiling Mounted Diagram.....	10
Wall Mounted Hoods Diagram.....	11
Rough In-Plate mounted Diagram.....	12
Step #1: Installation of Rough- In Plate Diagram.....	13
Step #2: Mounting in the Hood Fan Diagram/ Step #3: Ducting Connection Diagram.....	14
Step #4: Electrical Connection Diagram.....	15
Step #5: Installation of Hood Unit Diagram.....	16
Installation of Grease Trays & Filters.....	17
Use & Care with Diagram.....	18
In- Hood Fan Diagram.....	19
Wiring Island & Wall Hoods Diagram.....	20
Cleaning Recommendations, Baffle Filters & Grease Collection Trays.....	21
Warranty.....	22
Robert H. Peterson Co. Information.....	23



SAVOR THE MOMENT™

Installation Instructions Island and Wall Hoods/ Indoor and Outdoor Applications

**PLEASE READ ENTIRE INSTRUCTIONS BEFORE PROCEEDING.
INSTALLATION MUST COMPLY WITH ALL LOCAL CODES.**

<p>CAUTION - TO REDUCE THE RISK OF FIRE, ELECTRIC SHOCK, OR INJURY TO PERSONS, OBSERVE THE FOLLOWING:</p>	<p>CAUTION - TO REDUCE THE RISK OF A RANGE TOP GREASE FIRE:</p>
<p>1. Use this unit only in the manner intended by the manufacturer. If you have any questions, contact Robert H. Peterson Co. (800-332-3973).</p> <p>2. Before servicing or cleaning the unit, switch power off at service panel and lock the service disconnecting means to prevent power from being switched on accidentally. When the service disconnecting means cannot be locked, attach a tag to the service panel to indicate power has been switched off for maintenance.</p> <p>3. Only Install this Range hood with Internal Blowers provided by Robert H. Peterson Co. Models 60-VHS and 42-VHS.</p>	<p>1. Never leave surface units unattended at High Settings. Boil- Overs may cause smoking and/or greasy spillovers that may ignite. Heat oils slowly on low or medium settings.</p> <p>2. Always turn hood ON when cooking at high heat or when flambéing foods (i.e. Crepes Suzette, Cherries Jubilee, Peppercorn Beef Flambé).</p> <p>3. Clean ventilating fans frequently. Grease should not be allowed to accumulate on fan or filter.</p>
<p>CAUTION - TO REDUCE THE RISK OF INJURY TO PERSONS, IN THE EVENT OF A RANGE TOP GREASE FIRE, OBSERVE THE FOLLOWING:</p> <p>SMOTHER FLAMES with a close- fitting lid, cookie sheet, or other metal tray, then turn off the gas burner or the electric element.</p> <p>DO NOT USE TO EXHAUST HAZARDOUS, EXPLOSIVE MATERIALS, OR VAPOR!</p>	

IMPORTANT: Save these instructions for the Local Electrical Inspector's use.

INSTALLER: Please leave these instructions with this unit for the owner.

OWNER: Please retain these instructions for future reference.

SAFETY WARNING: Turn off power circuit at the service panel and lock out panel, before wiring this unit.

IMPORTANT SAFETY INSTRUCTIONS

IN CASE OF FIRE OR FLAMES:

1. BE CAREFUL TO PREVENT BURNS. IF THE FLAMES DO NOT GO OUT IMMEDIATELY, EVACUATE AND CALL THE FIRE DEPARTMENT.
2. NEVER PICK UP A FLAMING PAN – you may be burned.
3. DO NOT USE WATER TO EXTINGUISH THE FLAMES; including wet dish-cloths or towels - a violent steam explosion will result.
4. Use an extinguisher **ONLY** if:
 - a. You know you have a class ABC extinguisher, and you already know how to operate it.
 - b. The fire is small and contained in the area where it started.
 - c. The fire department is being called.
 - d. You can fight the fire with your back to an exit.

IMPORTANT SAFETY INSTRUCTIONS FOR INSTALLATION CONTINUED...

CAUTION: TO REDUCE THE RISK OF FIRE, ELECTRIC SHOCK, OR INJURY TO PERSONS, OBSERVE THE FOLLOWING:

CAUTION: FOR GENERAL VENTILATION USE ONLY. DO NOT USE TO EXHAUST HAZARDOUS OR EXPLOSIVE MATERIALS OR VAPORS.

- A. Installation work and electrical wiring must be done by a qualified person in accordance with all applicable codes and standards, including fire-rated construction.
- B. Sufficient air is needed for proper combustion and exhausting of gases through the flue (chimney) of fuel burning equipment to prevent back drafting. Follow the heating equipment manufacturer's guidelines and safety standards, such as those published by the National Fire Protection Association (NFPA), and the American Society for Heating, Refrigeration and Air Conditioning Engineers (ASHRAE), and the local code authorities.
- C. When cutting or drilling into a wall or ceiling, do not damage electrical wiring and other hidden utilities.
- D. Ducted fans must always be vented to the outdoors.
- E. If this unit is to be installed over a tub or shower, it must be marked as appropriate for the application and be connected to a GFCI (Ground Fault Circuit Interrupter) – protected branch circuit.
- F. NEVER place a switch where it can be reached from a tub or shower.
- G. **CAUTION- TO REDUCE THE RISK OF FIRE, USE ONLY METAL DUCTWORK.**
- H. Install this hood in accordance with all requirements specified by the manufacturer of your grill, or top/range.
- I. Install this hood using required clearance from cooking surface to combustible material specified in grill top installation instructions.

MODEL DETAILS

VHS-HOOD	60-VHF and 42-VHF	Rough-In Plate Island Mount	Stainless Steel and other unique hood materials.
----------	-------------------------	--------------------------------	--

READ AND SAVE THESE INSTRUCTIONS INSTALLATION PRECAUTIONS:

The high degree of craftsmanship in the construction and finish of your hood requires careful handling to ensure proper installation.

- Do not remove your hood from its carton until you are ready to hang it.
- If the hood needs to be lifted, place your fingers under the lower reveal of the hood: Grasp firmly, and lift. Additionally, arrange it on a blanket or padded area that will protect your hood from scratches or indentations.
- Do not store your hood anywhere other than within the carton.
- Do not lift the hood by its utensil rail. Place your fingers under the lower reveal of the hood. Grasp firmly and lift.
- Cotton gloves are preferable. They will protect the surface from fine scratches and eliminate fingerprints.
- Remove all rings, watches, belt buckles, and jackets (with the snaps and zippers) to prevent scratch marks.
- Do not remove the cotton flannel from your hood until the installation process is complete. It will be necessary to remove only a small portion on the back-side of a wall mounted hood in order to position in place.
- Located within the hood cavity (behind the baffle filter) are component parts and halogen bulbs.

INSTALLATION PLANNING:

CHECK THE INSTALLATION LOCATION

If your installation has been roughed-in (including ductwork and wiring), be certain there are no obstructions in the way of the mounting, pipes, other wiring, etc. However, if the installation has not been roughed in, check what is needed to create the framing and mounting hardware (all threads, nuts, etc.). Be sure the location will not interfere with wiring, other utilities, or structural considerations.

CHOOSE THE INSTALLATION METHOD

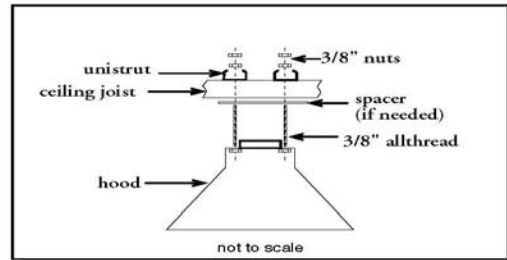
There are several different methods available to mount the hood: the Unistrut, Angle Iron, Frame In, Wall Mount, Island Mount and Rough-In Plate Mount, which can be used for both indoor and outdoor applications. Please check the model options for the suggested methods of your installation. **Each hood type and site requirements are presented as follows:**

INSTALLATION QUESTIONS? PLEASE DIAL: 800-332-3973

UNISTRUT MOUNT

1. Make sure there is at least a 10" opening in the ceiling or wall to accommodate the duct.
2. If necessary, install 2 wood spacers so the top of the hood is flush with the ceiling or wall.
3. Install all four of the allthread bolts into the top of the hood.
4. Position the 2 Unistruts across the ceiling joists.
5. Lift the hood and guide the allthread through the Unistrut. (At least 2 people are recommended for this step)
6. Secure the hood with 3/8" nuts (do not tighten).
7. Adjust hood to proper location and tighten nuts. A second nut should be used as a locknut to prevent vibration and ensure stability.
8. Connect the duct to hood using 3 sheet metal screws and seal with silicone or duct tape.
9. Make electrical connections. (An electrical contractor should make all electrical connections. See wiring diagram.)

CAUTION: Vent unit to outside of building.

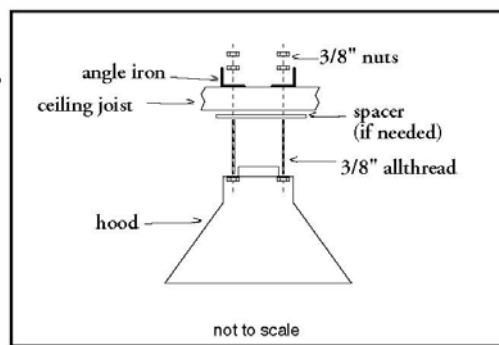


Materials Needed:

Item	Quantity
1. 3/8" X 12" Allthread	4
2. 3/8" nuts	8
3. Unistruts approx. 30" long	2

ANGLE IRON MOUNT

1. Make sure there is at least a 10" opening in the ceiling or wall to accommodate the ducting.
2. If necessary, install 2 wood spacers in order for the top of the hood to be flush with the ceiling or wall.
3. Insert all four of the allthread bolts into the top of the hood.
4. Drill 2-7/16" holes in each angle iron (align with nuts) in the top of the hood.
5. Position the 2 angle irons across the ceiling joists.
6. Lift the hood and guide the allthread bolts through the angle iron . (At least 2 people are recommended for this step)
7. Secure the hood with 3/8" nuts (do not tighten).
8. Adjust hood to proper location and tighten nuts. A second nut should be used as a locknut to prevent vibration and ensure stability.
9. Connect the duct to hood using 3 sheet metal screws and seal with silicone or duct tape.
10. Make electrical connections. (An electrical contractor should make all electrical connections. See wiring diagram.)



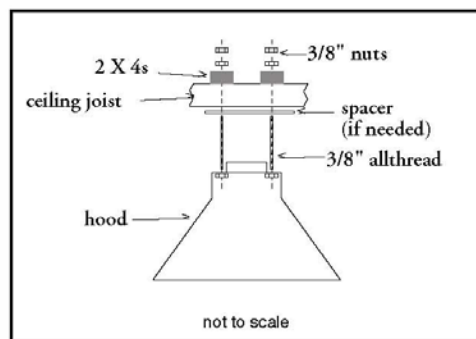
Materials Needed:

Item	Quantity
1. 3/8" X 12" Allthread	4
2. 3/8" nuts	8
3. Angle Iron approx. 30" long	2

CAUTION: Vent unit to outside of building.

FRAME-IN MOUNT

1. Use 2x4s to construct the framing. The excessive weight of the hood makes this necessary.
2. Mark the center location of the hood. Install two 2x4s (wide side down) across ceiling joists with outer edges aligned with the existing ceiling joist.
3. Drill 7/16" holes in 2x4s the same distance apart as the nuts in the top of the hood, plus the finished drywall thickness. This ensures the hood is tightly fitting against the wall. Install wooden spacers if necessary to ensure the top of the hood is flush with the ceiling.
4. Insert all four of the allthread bolts into the top of the hood. (Approximately 3")
5. Lift the hood and guide the allthread through the 2x4s. (At least 2 people are recommended for this step)
7. Secure the hood with 3/8" nuts (do not tighten).
8. Adjust hood to proper location and tighten nuts. A second nut should be used as a locknut to prevent vibration and ensure stability.
9. Connect the duct to hood using 3 sheet metal screws and seal all joints with silicone or duct tape.
10. Make electrical connections. (An electrical contractor should make all electrical connections. See wiring diagram.)



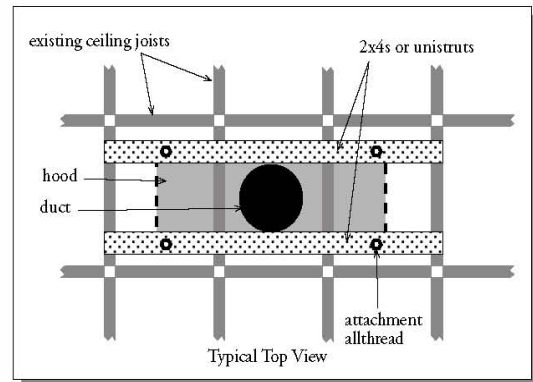
Materials Needed:

Item	Quantity
1. 3/8" X 12" Allthread	4
2. 3/8" nuts	8
3. Angle Iron approx. 30" long	2

CAUTION: Vent unit to outside of building.

ISLAND OR WALL HOODS - CEILING MOUNTED

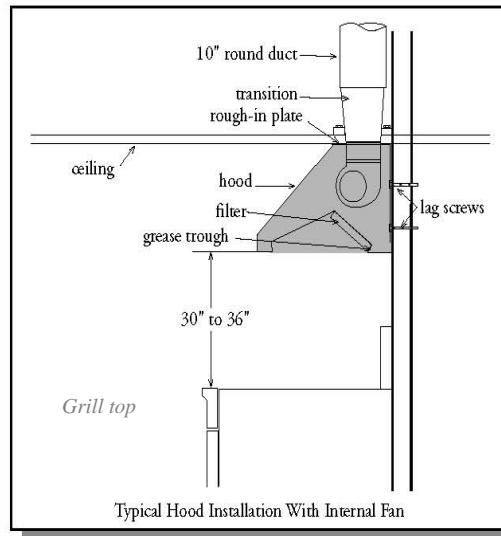
1. Use 2x4s, Unistrut or Angle Iron to construct this framing. The considerable weight of the hood makes this necessary.
2. Mark the center location of the hood. Install two 2x4s (wide side down), Unistrut or Angle Iron, across ceiling joists with outer edges aligned with the existing ceiling joist.
3. Drill two 7/16" diameter holes in the 2x4s, Unistrut or Angle Iron, the same distance apart as the nuts in the top of the hood, plus the finished drywall thickness. This ensures the hood is tightly fitted against the wall. Install wooden spacers if necessary to ensure the top of the hood is flush with the ceiling.
4. Insert in all four of the allthread bolts into the top of the hood. (Approximately 3")
5. While lifting the hood to position guide the allthread through the 2x4s, Unistrut or Angle Iron. (At least 2 people are recommended for this step)
7. Secure the hood with 3/8" nuts (do not tighten).
8. Adjust hood to proper location and tighten nuts. A second nut should be used as a locknut to prevent vibration and ensure stability.
9. Connect the duct to hood using 3 sheet metal screws and seal all joints with silicone or duct tape.
10. Make electrical connections. (An electrical contractor should make all electrical connections. See wiring diagram.)



CAUTION: Vent unit to outside of building.

WALL MOUNTED HOODS

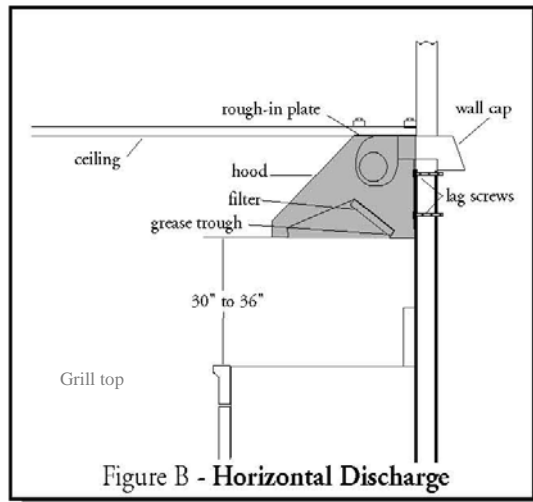
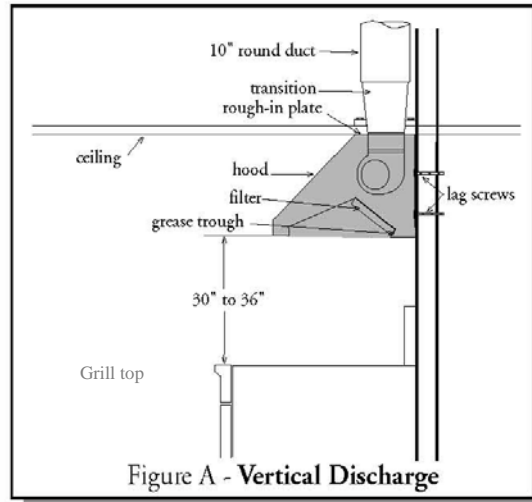
1. Use 2x4s, Unistrut or Angle Iron, to construct the framing. The considerable weight of the hood makes this necessary.
2. Mark the center location of the hood. Install two 2x4s (wide side down), Unistrut or Angle Iron, across ceiling joists with outer edges aligned with the existing ceiling joist.
3. Drill two 7/16" diameter holes in the 2x4s, Unistrut or Angle Iron, the same distance apart as the nuts in the top of the hood, plus the finished drywall thickness. This ensures the hood is tightly fitted against the wall. Install wooden spacers if necessary to ensure the top of the hood is flush with the ceiling.
4. Insert all four of the allthread bolts into the top of the hood. (Approximately 3")
5. While lifting the hood, guide and position the allthread through the 2x4s, Unistrut or Angle Iron, (At least 2 people are recommended for this step)
7. Secure the hood with 3/8" nuts (do not tighten).
8. Adjust hood to proper location and tighten nuts. A second nut should be used as a locknut to prevent vibration and ensure stability.
9. Locate studs and drill 3/8" diameter holes through back panel. Secure hood to wall with (4) 1/4" x 1-1/2" lag screws.
10. Connect the duct to hood using 3 sheet metal screws and seal all joints with silicone or duct tape.
11. Make electrical connections. (An electrical contractor should make all electrical connections. See wiring diagram.)



CAUTION: Vent unit to outside of building.

NOTE: For Fire Magic Grills, 18" clearance to combustible materials is required.

ROUGH-IN PLATE MOUNTED



TYPICAL INSTALLATION

Most hoods are designed for either vertical or horizontal discharge as shown in Figure A and B respectively.

NOTE: For Fire Magic Grills, 18" clearance to combustible materials is required.

STEP 1. INSTALLATION OF ROUGH-IN PLATE

1. The hood unit is shipped with the rough-in plate and the transition attached.

Note: The transition is shipped upside down within the hood unit and must be removed and reinstalled. (See Figures 1 through 3.)

2. To detach the rough-in plate/transition from the hood unit, remove the four (4) screws on the top and four (4) screws on the back of the unit as shown in Figure 1.
3. Detach the transition from the rough-in plate by removing four (4) screws. The shipping screws are needed for re-attaching the transition to the rough-in plate.
4. Secure the transition to the top of the rough-in plate, using four (4) screws provided. Use duct tape to seal the joints of the transition and the top of the rough-in plate. (See Figure 2.)
5. Mark the center of the rough-in plate and align with the center of the soffit. (See Figure 3.)
6. Install rough-in plate to the soffit, using four (4) #10x1" screws packed with the plate. (See example for 36" hood in Figure 3). These screws must be driven into the soffit framing.
7. Secure the back side of the rough-in plate to the wall stud.

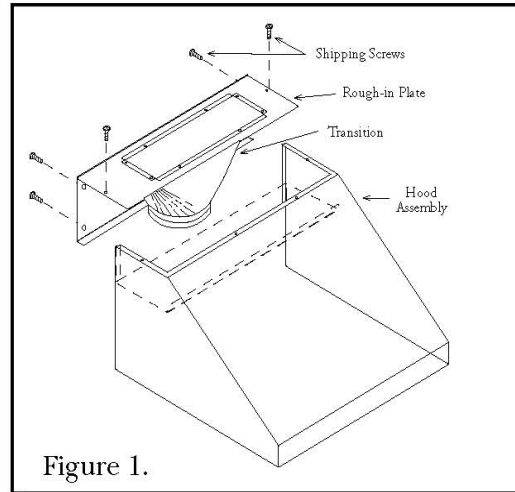


Figure 1.

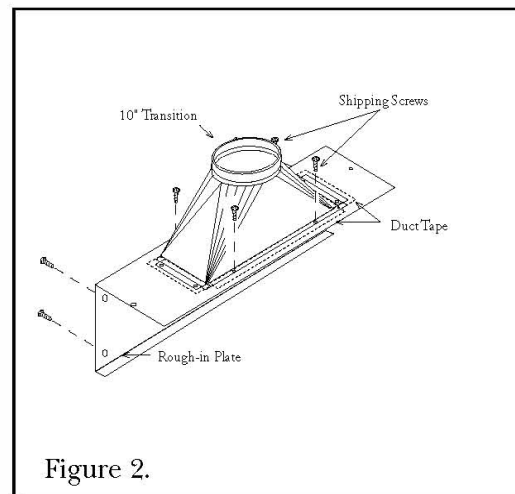


Figure 2.

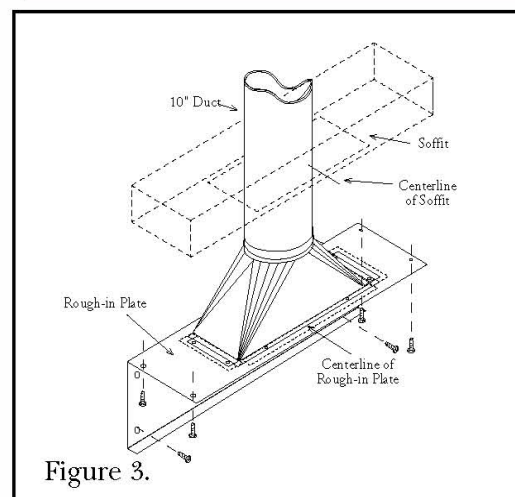


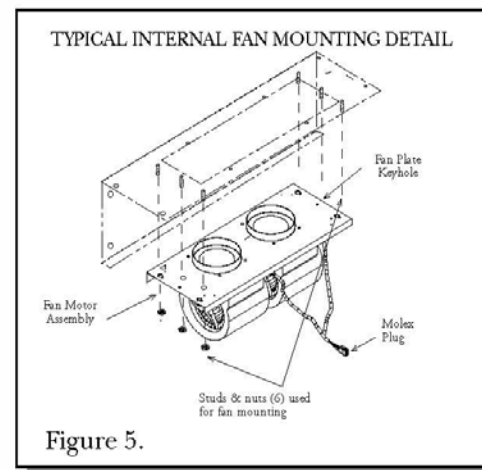
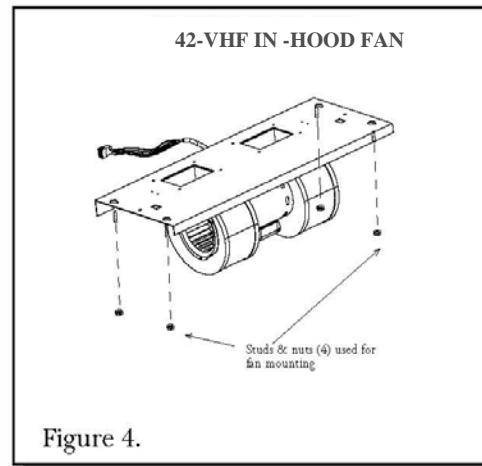
Figure 3.

STEP 2. MOUNTING THE IN-HOOD FAN

RH Peterson installs the 42-VHF in-hood fan at the factory in models 42-VHF and 60-VHF.

Instructions for mounting the 42-VHF into R.H. Peterson wall hoods.

1. Install the fan by aligning the holes on the fan to the weld studs on the rough-in plate. Tighten the fan to the plate using the hex nuts provided. (See Figure 4.)
2. Plug the "Molex" plug on the fan to the "Molex" plug on the hood. (See Figure 4.)

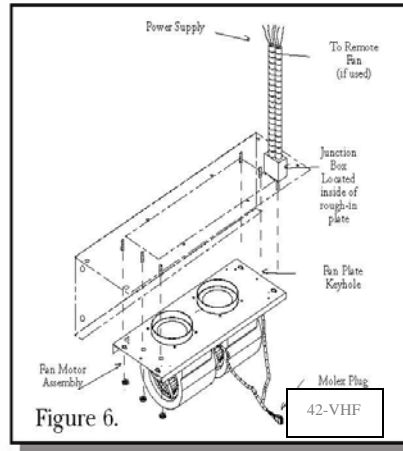


STEP 3. DUCTING CONNECTION

1. For in-hood fans, use 10" round-duct from the transition (provided).
2. The length of ducting should be as short and straight as possible for best performance of fan. SEAL ALL JOINTS WITH DUCTS TAPE.

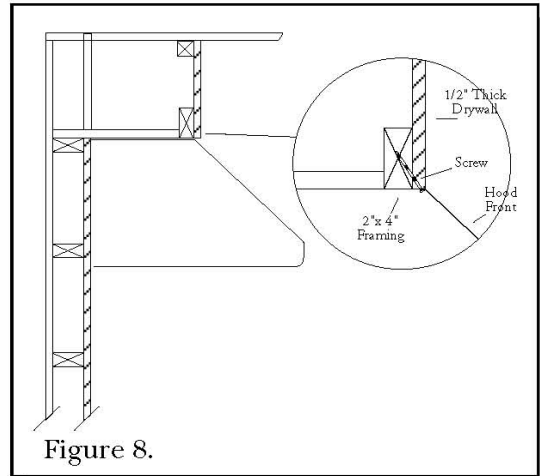
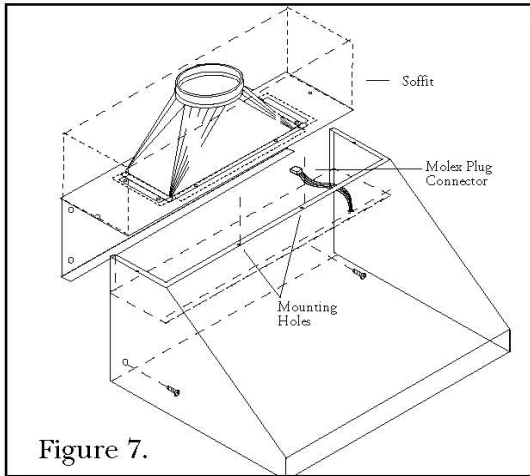
STEP 4. ELECTRICAL CONNECTION

1. Install three wires: black, white and green (#16 AWG) in 1/2" conduit from the service panel to the hood junction box. Power supply must be rated for 120v, 60Hz, 15 amps (minimum).
2. Remove junction box and selected knockout. Then install the strain relief (conduit) connector in the rough-in plate hole.
3. Remove the junction box from the rough-in plate. Connect black wire to power supply black wire, white wire to power supply white wire, and green wire to power supply green wire.
4. Place all wiring connectors inside junction box and re-install on rough-in plate.



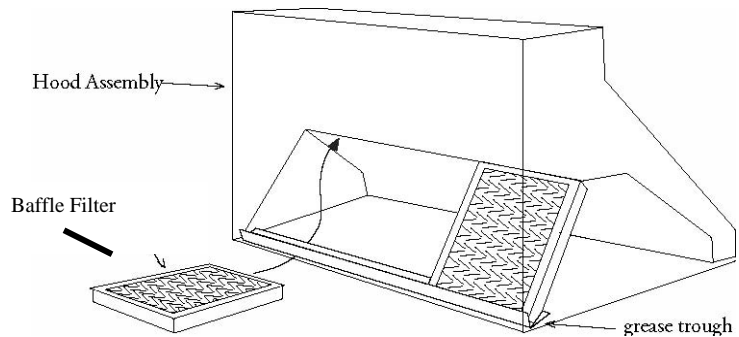
STEP 5. INSTALLATION OF HOOD UNIT

1. Install the hood unit to the rough-in plate by aligning the weld studs on the rough-in plate with the slotted holes on the back of the hood unit. (See Figure 7.)
2. Using the hex nuts provided, secure the hood assembly to the rough-in plate.
3. If using internal fan kit 42-VHF, plug the fan Molex into mating hood Molex.
4. Install the remaining #10 x 1" screws into the lower section of hood. (See Figure 7, and front area of hood Figure 8.)

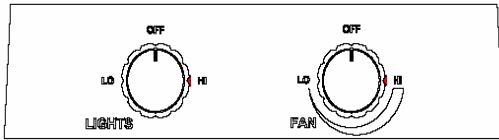


INSTALLATION OF GREASE TRAYS & FILTERS

1. The grease trays location is on the underside (bottom), rear area of hood.
2. In the center of the space provided for the filters, insert one filter on the top ledge and pull back until the bottom of the filter slips into bottom ledge.
3. Slide the filter to one side.
4. Install the next filter by repeating step 2. There will be some side-to-side and front-to-back tension as the filters line up.



USE AND CARE



CONTROLS

Always turn the hood on before cooking to establish an air flow in the kitchen. Allow the fan to operate for a few minutes to clear the air after you turn the range off. This will help keep the entire kitchen smoke free and fresher smelling.

FAN

The fan is controlled by a multi-speed switch. Printed speeds on the control panel correspond with fan speed.

GRILL TOP LIGHTING

The halogen lights are controlled with two (ambient and brilliant) switches. The lights can be turned on individually or simultaneously. To use the lights on brilliant setting, push the switch up. For ambient setting, push the switch down.

USE ONLY R20 SIZE, HALOGEN 50 WATT BULBS

FILTERS

Wash filters frequently either in a detergent solution, or by placing them in your dishwasher.

Replacement filters may be purchased from your dealer.

GRILL TOP LIGHTING

The halogen lights are controlled individually by the rocker switches located near the fan control.

CLEANING

Do not allow excessive grease to accumulate. Refer to Cleaning Recommendations on last page for suggestions on cleaning metals and finishes.

DO NOT USE ABRASIVE CLOTH, STEEL WOOL PADS, OR SCOURING POWDERS.

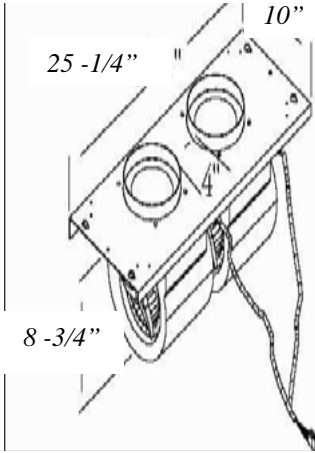
Vacuum fan to eliminate collected dust and particles. Do not immerse fan in water.

REPLACEMENT PARTS

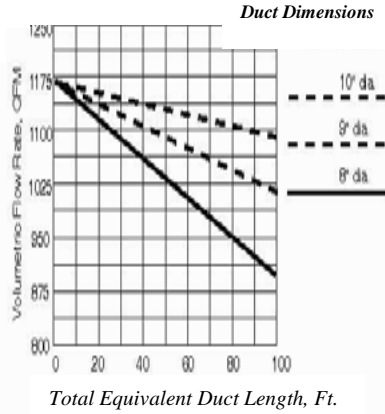
For purchasing replacement parts, contact your dealer.

IN- HOOD FAN

42-VHF IN- HOOD FAN



42-VHF Fan

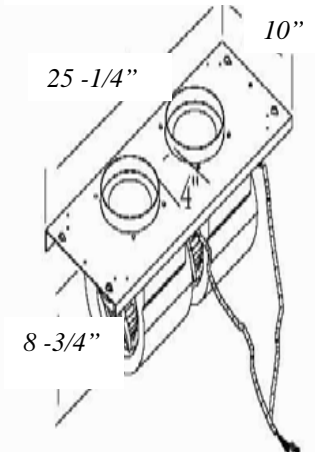


Maximum CFM: CFM1200

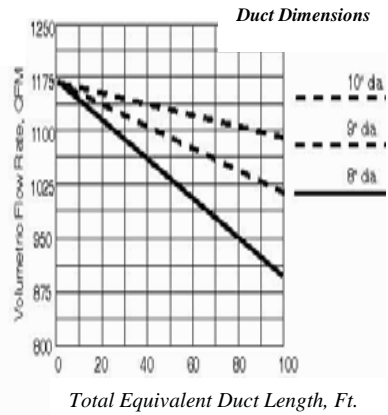
Electrical Motor Rating:
8.0 Amps @ 115 V AC, 60 Hz

Duct Size at Discharge:
8" x 21-1/4" x 10" Round Transition

60-VHF IN- HOOD FAN



60-VHF Fan



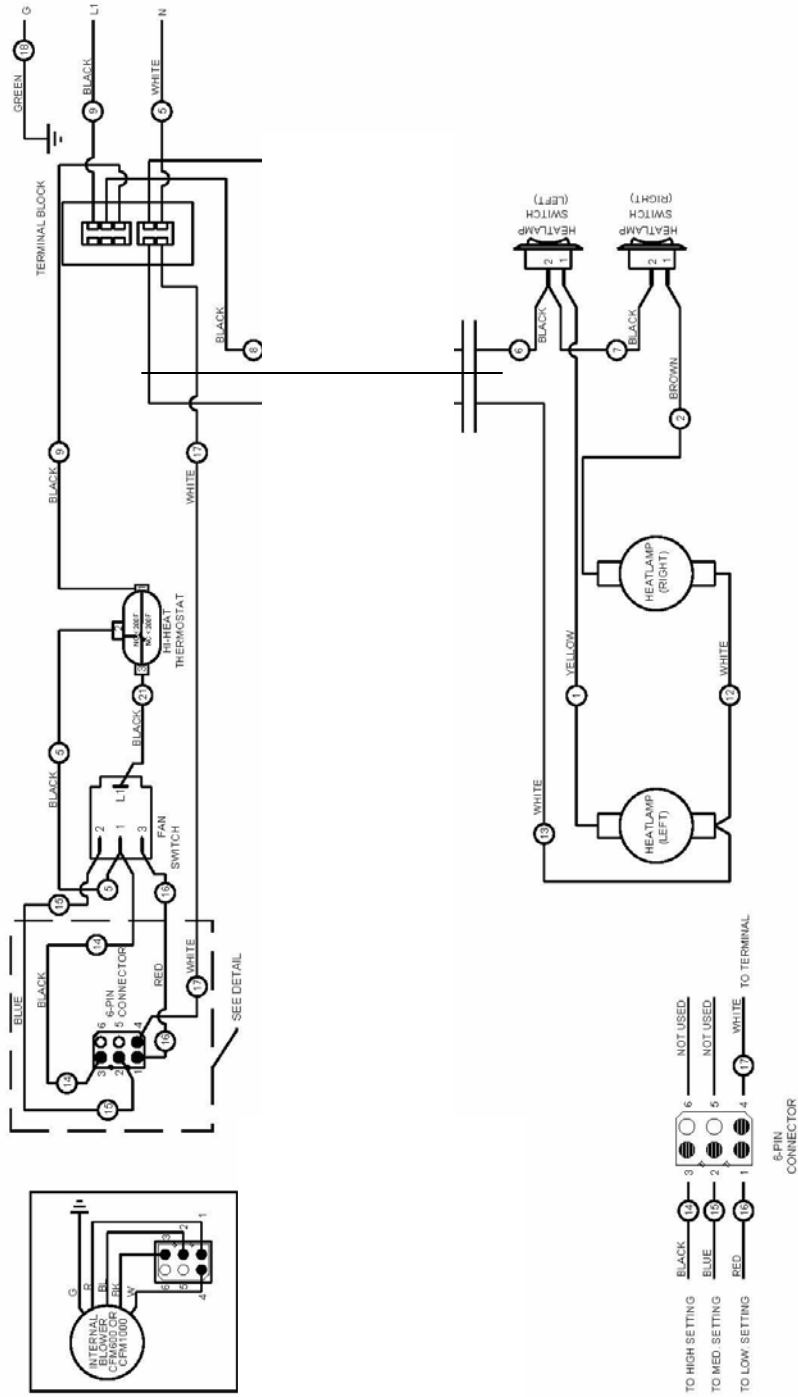
Maximum CFM: CFM1200

Electrical Motor Rating:
8.0 Amps @ 115 V AC, 60 Hz

Duct Size at Discharge:
8" x 21-1/4" x 10" Round Transition

WIRING DIAGRAM ISLAND AND WALL HOODS

TYPICAL OF BOTH 3LIGHT UNITS
 3LIGHT UNITS ONLY



CLEANING RECOMMENDATIONS

BRUSHED STAINLESS STEEL

The Brushed Stainless Steel Hood should be cleaned with pre-washed flannel cloths and our recommended **Fire Magic Stainless Steel** cleaner. Always wipe in a manner which follows the grain. **DO NOT** clean with paper towels as they will scratch the surface. Different cleaning cloths other than cotton flannel may scratch the surface of the hood.

INTERIOR OF HOOD

All hoods are fitted with a brushed stainless steel liner. For cleaning, we recommend using pre-washed flannel cloths and **Fire Magic Stainless Steel** cleaner. Always wipe in a manner, which follows the grain. **DO NOT** clean with paper towels, as they will scratch the surface of the hood.

BAFFLE FILTERS AND GREASE COLLECTION TRAYS:

All Filters and Grease Cups may be cleaned by placing them in your dishwasher. The grease cups should first be cleaned of excess grease with a paper towel then placed beside the baffle filters in your dishwasher for a thorough cleaning.

Fire Magic Stainless Steel Cleaner may be purchased directly from your Fire Magic Dealer.

WARRANTY

Fire Magic® accessories, including your Fire Magic Vent Hood Assembly are warranted for (1) year from date of purchase.

PLEASE KEEP A COPY OF YOUR SALES SLIP FOR PROOF OF PURCHASE

This warranty applies to the original purchaser and to single family residential use only. It commences from the date of purchase, and is valid only with proof of purchase.

This warranty does not cover parts becoming defective through misuse, accidental damage, electrical damage, improper handling, storage, and/or installation. Product must be installed (and gas must be connected) as specified in the instructions or operator's manual, by a **qualified professional installer**. Accessories, parts, valves, remotes, etc., when used, must be Robert H. Peterson Co. product.

This warranty **does not** apply to rust, corrosion, oxidation, or discoloration, unless the affected component becomes inoperable. It **does not** cover labor or labor-related charges.

This warranty specifically excludes liability for **indirect, incidental**, or consequential damages. Some states do not allow the exclusion or limitation of incidental or consequential damages, so the above exclusion may not apply to you. This warranty gives you specified legal rights, and you may have other rights that may vary from state to state. In the instructions or operator's manual, by a **qualified professional installer**. Accessories, parts, valves, remotes, etc., when used must be Peterson Co. product.

For additional information regarding this warranty, or to place a warranty claim, contact the R.H. Peterson dealer where the product was purchased.

Robert H. Peterson Co.

- 14724 East Proctor Avenue •
City of Industry, CA
91746

800-332-3973